

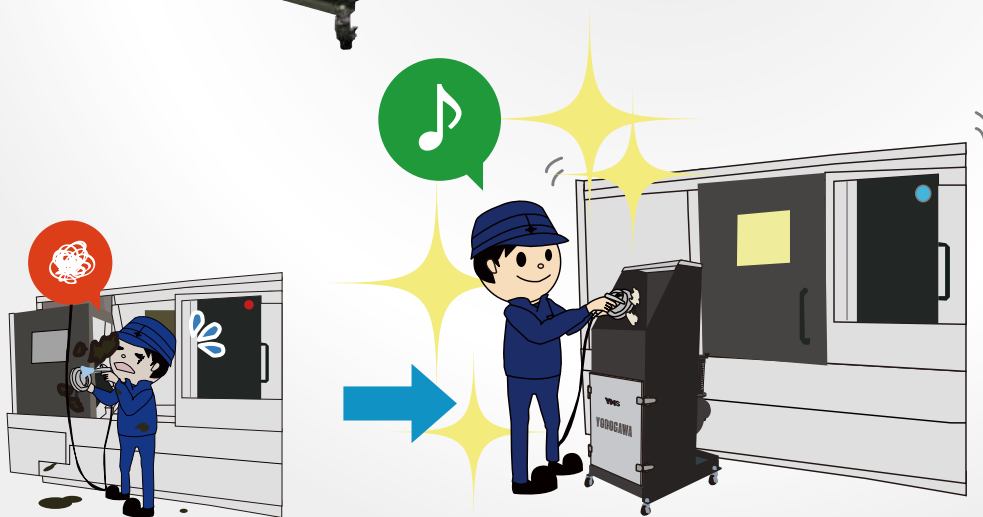
YMS

AIR BLOW TABLE
FOR CUTTING FRUIT AND CHIPS

MADE IN JAPAN



YMS20JA



Eliminate the cause of dirt in the factory

- ✓ Improvement of work efficiency of air blowing
- ✓ Cooperation with robots
- ✓ Optimum air blowing effect

Dust Collector Work Table for Compressed Air Applications

To improve the environment in the factory.



Upper shelf
size (mm) <W368 × D 148>

Standard equipment. You can put the work.

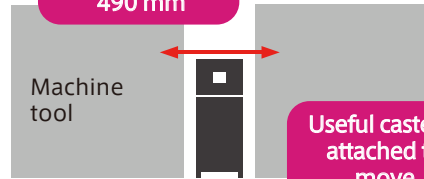


The YMS features an integrated dust collector and a special filter to handle damp dust.

Environmentally friendly with high performance filter.

Collect all material that is dispersed when compressed air is used.

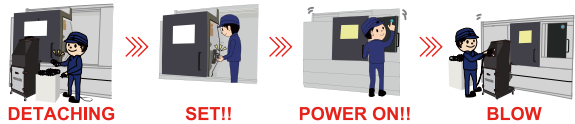
Installation
space Approx.
490 mm



Useful caster is
attached to
move

Improve machine availability = Energy saving

If you currently only use compressed air while the machine tool is stopped, bringing in the YMS will help improve efficiency by letting you process workpieces while the machine is running.

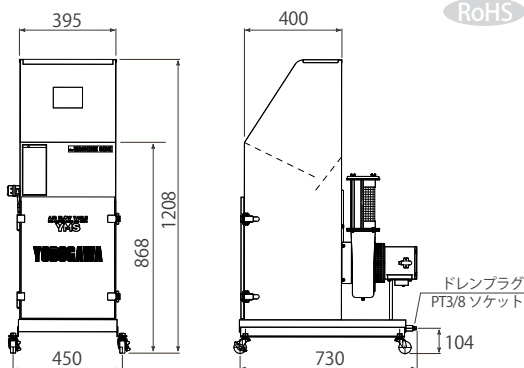


Cooperation with robots

Ideal for air blowing before the next process.



Dimensions (mm)



Specifications

RoHS

| Item | Type | YMS20JA | | YMS20JB | |
|------------------------|-----------------------|------------------------------------------------------------------|------|----------|------|
| | | | | | |
| Dust collection method | | Nonwoven cloth cartridge filter (damp dust filter) + mist filter | | | |
| Power supply | | 1 φ 100V | | 3 φ 200V | |
| Output | (kW) | 0.2 | | | |
| Cycle | (Hz) | 50 | 60 | 50 | 60 |
| Rated current | (A) | 2.9 | 2.8 | 0.9 | 0.9 |
| Maximum airflow | (m ³ /min) | 7.5 | 9.0 | 7.5 | 9.0 |
| Maximum pressure | (kPa) | 0.81 | 1.17 | 0.81 | 1.17 |
| Control velocity | (m/s) | 1.7 | 2.0 | 1.7 | 2.0 |
| Drawer capacity | (ℓ) | 13 | | | |
| Noise | (dB) | 66 | 68 | 66 | 68 |
| Weight | (kg) | 43 | | | |
| Filtration area | (m ²) | 1.25 | | | |

※ Performance is measured according to JIS B 8330.

※ Contact Yodogawa for more details.

※ Dust collectors can also be made to order at specified voltages.



Cautions on use

- Never use with the operations which generate sparks.
- Never use when the coolant is explosive, flammable, or ignitable (with an ignition point lower than 120°C), or when the cleaning liquid is explosive, flammable, or ignitable (with an ignition point lower than 135°C).
- Never use with the ignitable, corrosive, adherence, or extraordinary substances.
- Never use the machine when dangerous substance generates due to mixture of the work material and the coolant, or the work material and the cleaning liquid.
- Never use the machine when dangerous substance generates due to mixture of the coolant and the cleaning liquid.
- Please contact us if the coolant or the cleaning liquid is likely to be corrupted.

Ensure that you have read and understood the relevant instruction manuals before using this product.



淀川電機製作所
YODOGAWA ELECTRIC MFG.CO.,

OSAKA · TOKYO · NAGOYA · FUKUOKA

Head Office/Factory 2-1-8 Hashirii Toyonaka-city Osaka JAPAN 561-0891

TEL +81-6 (6853) 2621 FAX +81-6 (6853) 3155

the technical consultation E-mail tech@yodogawadenki.jp

<http://www.yodogawadenki.jp>

LLNO, YMS201807E